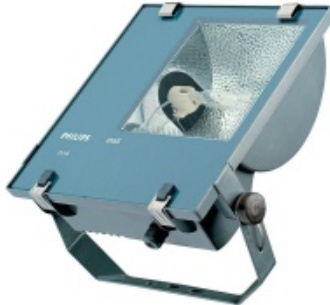


# RVP251 MHN-TD150W/842 IC S

Kod produktu: 58871



## Dane techniczne:

- Full product code **910502547518**
- Full product name **RVP251 MHN-TD150W/842 IC S**
- Order code **910502547518**
- Order product name **RVP251 MHN-TD150W/842 IC S**
- Pieces per pack **0**
- Bar code on outerbox - EAN3 **8711559149615**
- Packs per outerbox **1**
- Logistic code(s) - 12NC **910502547518**
- Net weight per piece **5.795 kg**
- Product family code **RVP251 [RVP251]**
- Number of light sources **1 [1 pc]**
- Kombipack **K [Lamp(s) included]**
- Lamp family code **MHN-TD [MHN-TD]**
- Lamp power **150 W [150 W]**
- Light source color **842 [842 neutral white]**
- Compensation circuit **IC [Inductive parallel compensated]**
- Gear **CONV [Conventional]**
- Optic type **S [Symmetrical]**
- Ingress protection code **IP65 [Dust penetration-protected, jet-proof]**
- Input voltage **230 V [230 V]**
- Protection class IEC I [**Safety class I**]
- Mech. impact protection code **IK07 [2 J reinforced]**
- CE mark **CE [CE mark]**
- ENEC mark **No**

RVP251 - MHN-TD - 150 W - Symmetrical

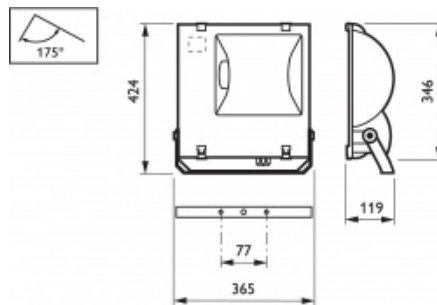
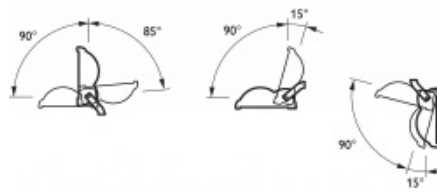
Tempo is a complete floodlighting range offering a wide choice of lamp types and symmetrical and asymmetrical reflectors. It is designed for general-purpose floodlighting, and is particularly suited to small- to medium-scale area or surface lighting. The Tempo series' compact housing guarantees optimum visual integration. Anodized-aluminum reflectors ensure a highly efficient beam distribution, while the nylon bolt caps feature a goniometric aiming device for easy adjustment and alignment. A universal mounting bracket allows ceiling, wall or surface mounting with a wide range of adjustment for both down- and uplighting. Tempo's all-weather construction is designed to make cleaning and servicing easy and fast. Access to the lamp and gear is simple, via the hinged front glass with its quick-release stainless-steel clips. All Tempo luminaires are RoHS-compliant.

## Features

- Wide choice of lamp types
- Symmetrical and asymmetrical reflectors
- Compact housing with metallic grey finish
- Aiming device
- Hinged front glass with quick-release clips

## Applications

- Facades
- Area lighting
- Architectural lighting
- Billboards

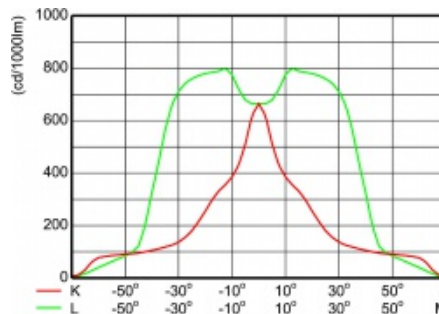
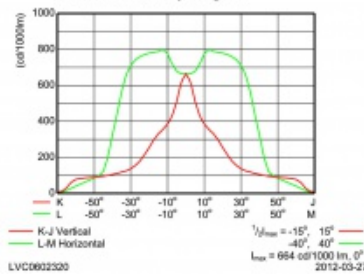


RVP251 1xMH-TD150W 8

L.D.R.=0.68

1 x 12900 lm

Cartesian Intensity Diagram





CE