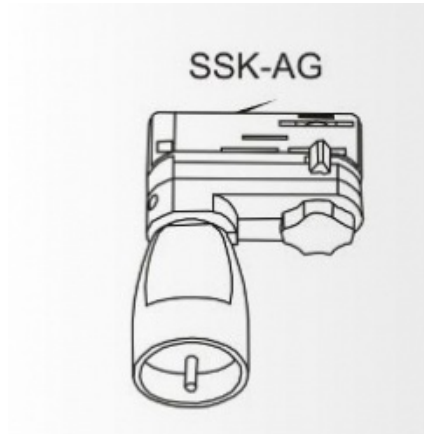


Adaptor + 230V socket

Kod produktu: 69140



Dane techniczne:

- Colour **white/black**

3 – Phase square cross section track system made of aluminium profiles with length of 2 or 1 meters with four electrical wires. You can easily create any lighting configuration, horizontal or vertical, mounted on the ceiling, wall or free standing panels. This track system can also be used for a suspended configuration using our accessories. All ŚWIATŁO.net spotlights have separate power supply and can be activated selectively. They can be easily moved and thus change the lighting and presentation of any items or areas. In this way you can create multifunctional track systems for lighting accenting as well as for suspending advertising and decorative materials. There are also available adapters, connectors, power connectors and mounting accessories in our offer.

Maximum mechanical load for a 2-meter track is 5kg when distributing the attachment points 1 per 1 meter or 1kg for 2-meter track when distributing the attachment points 1 per 2 meters. Maximum capacity of the electrical adapter is 5kg and for the mechanical adapter it is 10kg.